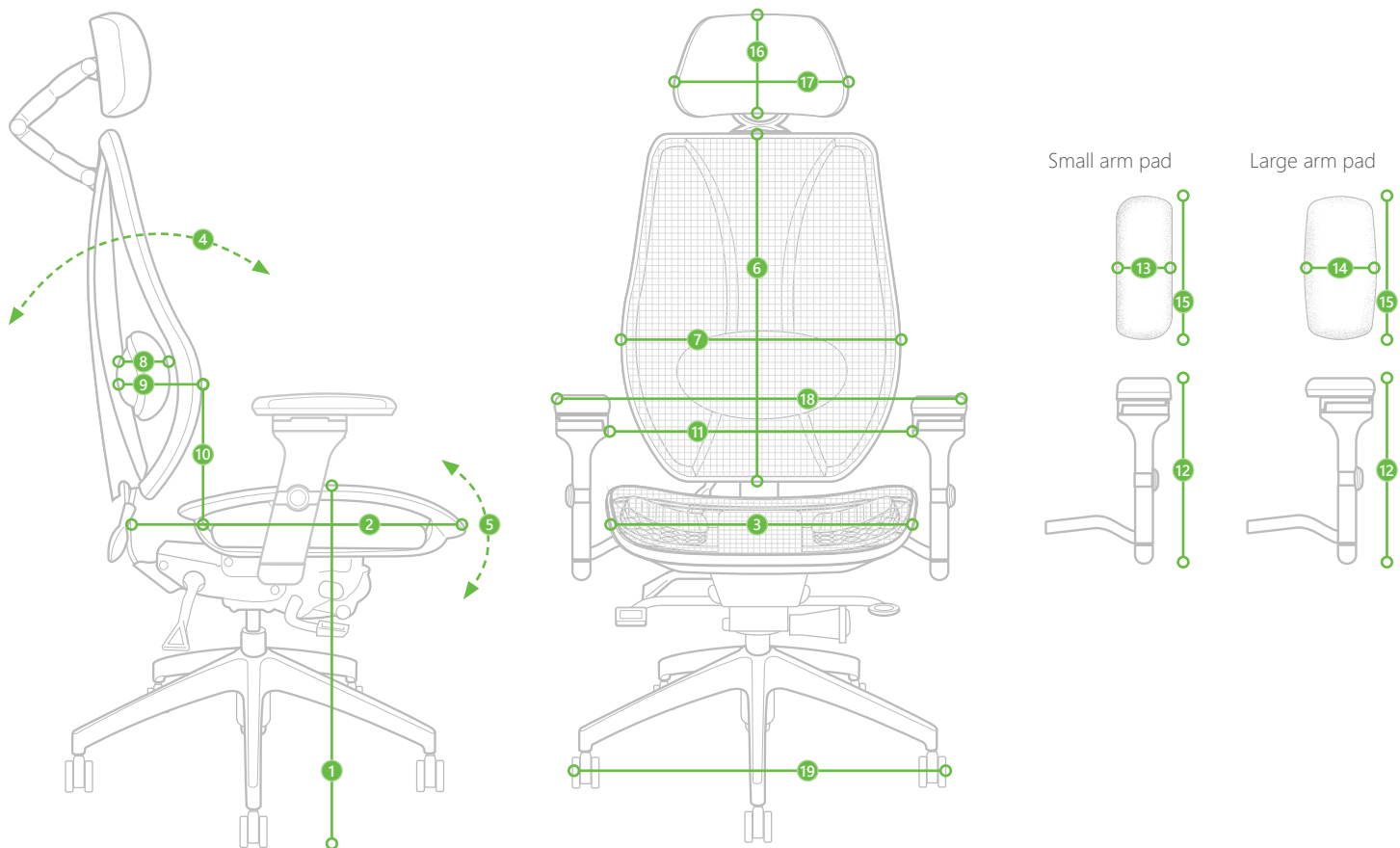


tcentric hybrid™



MEASUREMENTS (AS MEASURED ON A SYNCHRO GLIDE MECHANISM)

	Seat height 70 mm gas lift	16.1"-19"			Distance between arms with height adjustment only small pad: 20.25" large pad: 18"	
	Seat height 80 mm gas lift	17.1"-20.1"			Distance between arms with height and lateral adjustments small pad: 15.25"-20.25" large pad: 13"-18"	
1	Seat height 100 mm gas lift	17.8"-21.7"			Distance between arms with height and swivel adjustments small pad: 20.25" large pad: 18"-20.25"	
	Seat height 125 mm gas lift	17.5"-22.5"			Distance between arms with height, swivel and lateral adjustments small pad: 15.25"-20.25" large pad: 13"-20.25"	
	Seat height 125 mm LT gas lift (standard)	16.8"-21.8"			Armrest height without lateral adjustments†	6.75"-10.75"
	Seat height 140 mm gas lift	19.3"-24.6"			Armrest height with lateral adjustments†	7.5"-11.5"
2	Seat depth range – large seat (standard)†	17"-18.5"			Arm pad width	13 small pad: 3.75" 14 large pad: 5"
3	Seat width – large seat (standard)†	21"			Arm pad length	15 10"
4	Back angle adjustment range to the horizontal	89°-105° (16° range)			Headrest height	16 7.5"
5	Seat pan angle (6° range)	3.5° forward 2.5° backward			Headrest width	17 12.25"
6	Backrest height	23"-28"			Max. chair width with armrests fully extended	18 28"
7	Backrest width	19"			Footbase diameter	19 26"
8	Lumbar depth	4.75"			Weight	60.65 lbs
9	Air lumbar depth range	4.75"-6"			Weight without headrest	58.25 lbs
10	Lumbar height range	6.5"-11.5"			Weight without headrest and TCL360	46.35 lbs

Measurements in inches.

Where the chair is adjustable, minimum and maximum measurements are listed.

* Optional upholstered seat sizes include:

Extra small (17.5"w x 15.5"d), small (18.5"w x 17"d), standard (20"w x 19"w), plus size (22"w x 19"d), extra long (20"w x 21"d) and extra deep (22"w x 21"d).

† Measurements from arm pad to seat.