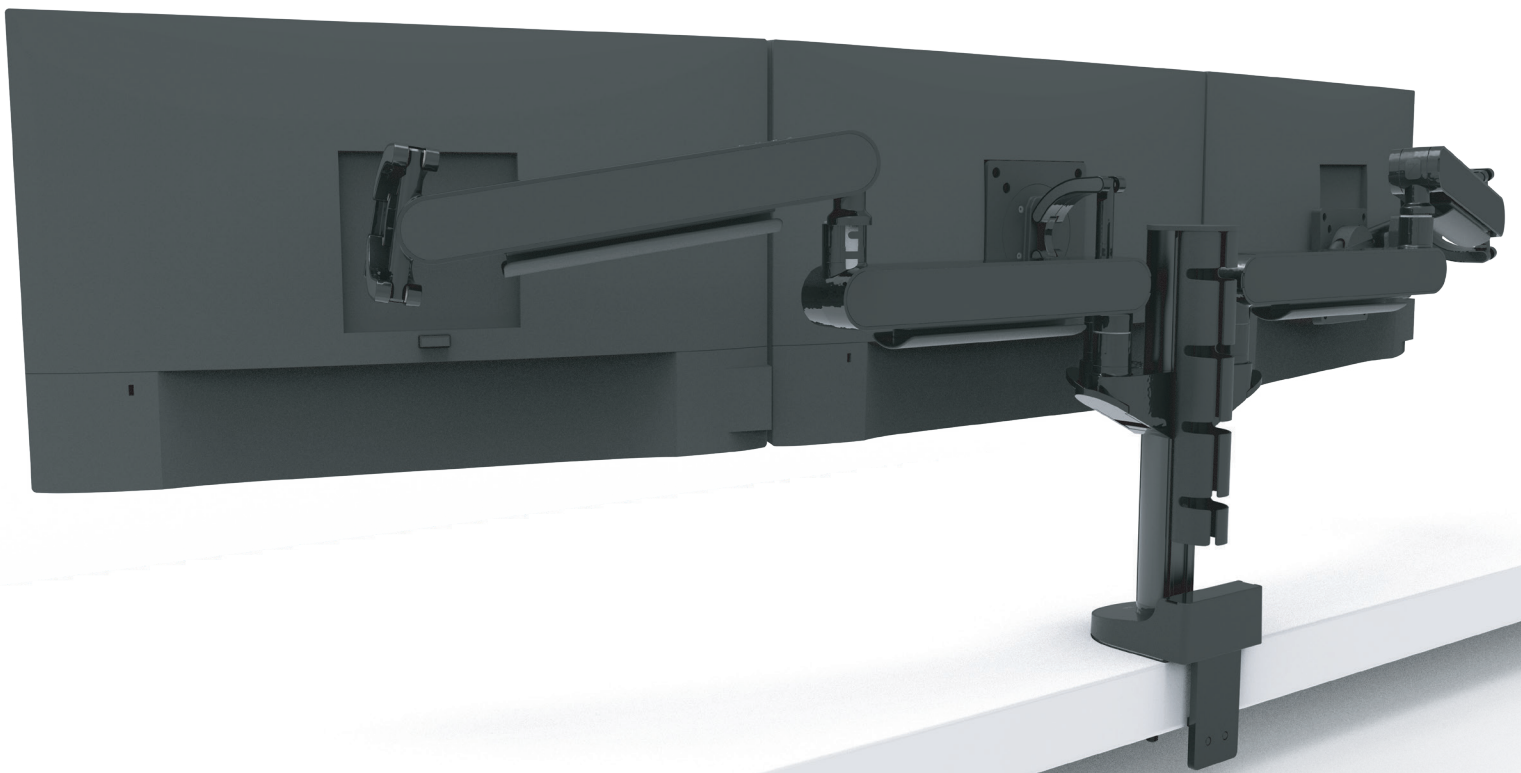


# ZP3

ZPX post system  
for 3 monitors



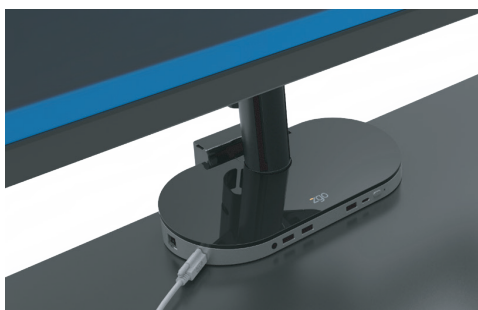
ergoCentric®

North American distributor of Zgonic

# Specifications

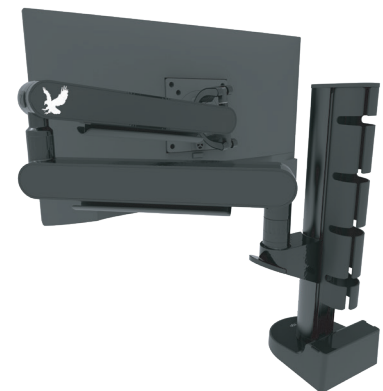
# ZP3

Maximum arm weightload:	24.3 lbs.
Maximum post weightload:	90 lbs.
Arm support:	Up to 3 monitor per row, 2 rows, 6 monitors
Monitor height adjustment range:	Total: 11.7", 5.9" above and 5.8" below mounting point
Monitor depth adjustment range:	24.9" fully extended to 3.4" in front of post
Arm length:	Straight: 13.9" Straight / straight: 24.3" Straight / dynamic: 24.9"
Post diameter:	1.7"
Monitor mount (shoulder) length:	Centerpoint of post to centerpoint of arm insert: 2.8"
Post heights:	12" for single row, 24" for dual row
Zslider VESA plate adjustment:	9" of lateral adjustment at end of arm
Mounts available:	Clamp mount, sliding desk clamp mount, bolt-through mount, rail mount
Monitor support brackets:	Individual "shoulders" slide vertically along full length of post and lock into place tool-lessly using a locking lever
Cable management:	Full length of post, with slotting for ease of installation or removal Full length of each monitor arm link, with easy access to right and left for installation or removal
Materials:	Aluminum, abs, pom, nylon and steel
Sustainability:	29% recycled and 99% recyclable content
Installation tools placement:	Hidden in the top post, suspended from top cap
Warranty:	10 year
VESA compliance:	75mm and 100mm
Dual rotation stops:	180° and 360° (no stop) at both center and rear joints for enhanced safety



**Integrated dock**  
Eliminates all desktop cables and saves valuable workspace

Featuring Zgonic's exclusive dock and design



**Customized side panels**  
Design your arm with any color, logo design, label or signage