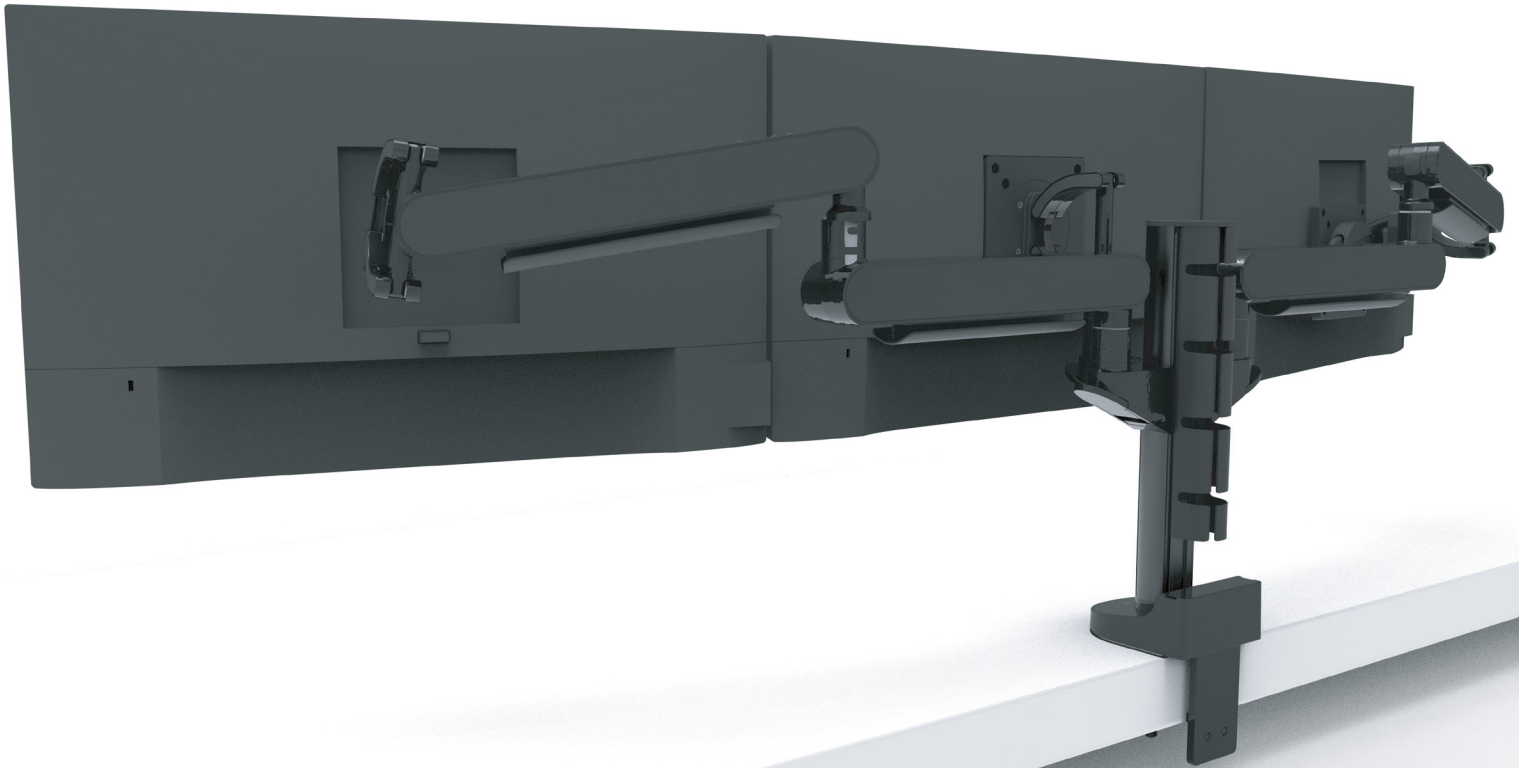


ZP3

Triple Monitor Arm Post System

ergoCentric® + zgonic
The science of sitting®





ZP3

[View Online](#)

[Contact Sales](#)



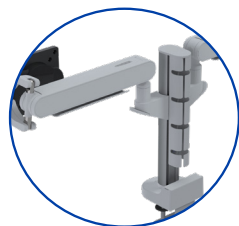
Patented Dial-Stop



Post System for Scalability and Modularity



Integrated Cable Management



Patented Infinite Panel Design

Specifications

Maximum arm weight load:	24.3 lbs.
Maximum post weight load:	90 lbs (Supports up to 6 monitors)
Arm configuration:	3 monitors, 2 sliders
Monitor height adjustment range:	Total: 11.7", 5.9" above and 5.8" below mounting point
Monitor depth adjustment range:	24.9", fully extended to 3.4" front of the post
Arm length:	Straight: 13.9" Straight / straight: 24.3" Straight / dynamic: 24.9"
Post diameter:	1.7"
Monitor mount (shoulder) length:	Center point of post to center point of arm insert: 2.8"
Post heights:	12" for single row, 24" for dual row
Mounts available:	2 piece clamp mount, top-down slide clamp mount, bolt-through clamp mount
Arm support brackets (post shoulders):	Tool-free height adjustment along the entire length of the post
Cable management:	Concealed within arms and post
Slider adjustment:	9" of lateral adjustment per slider
Installation tools placement:	Hidden in the top of post, suspended from top cap
VESA compliance:	75 x 75 mm and 100 x 100 mm
Dual rotation dial-stop:	180° and 360° (no stop) at both center and rear joints for enhanced safety
Sustainability:	29% recycled and 99% recyclable content
Warranty:	10 year

