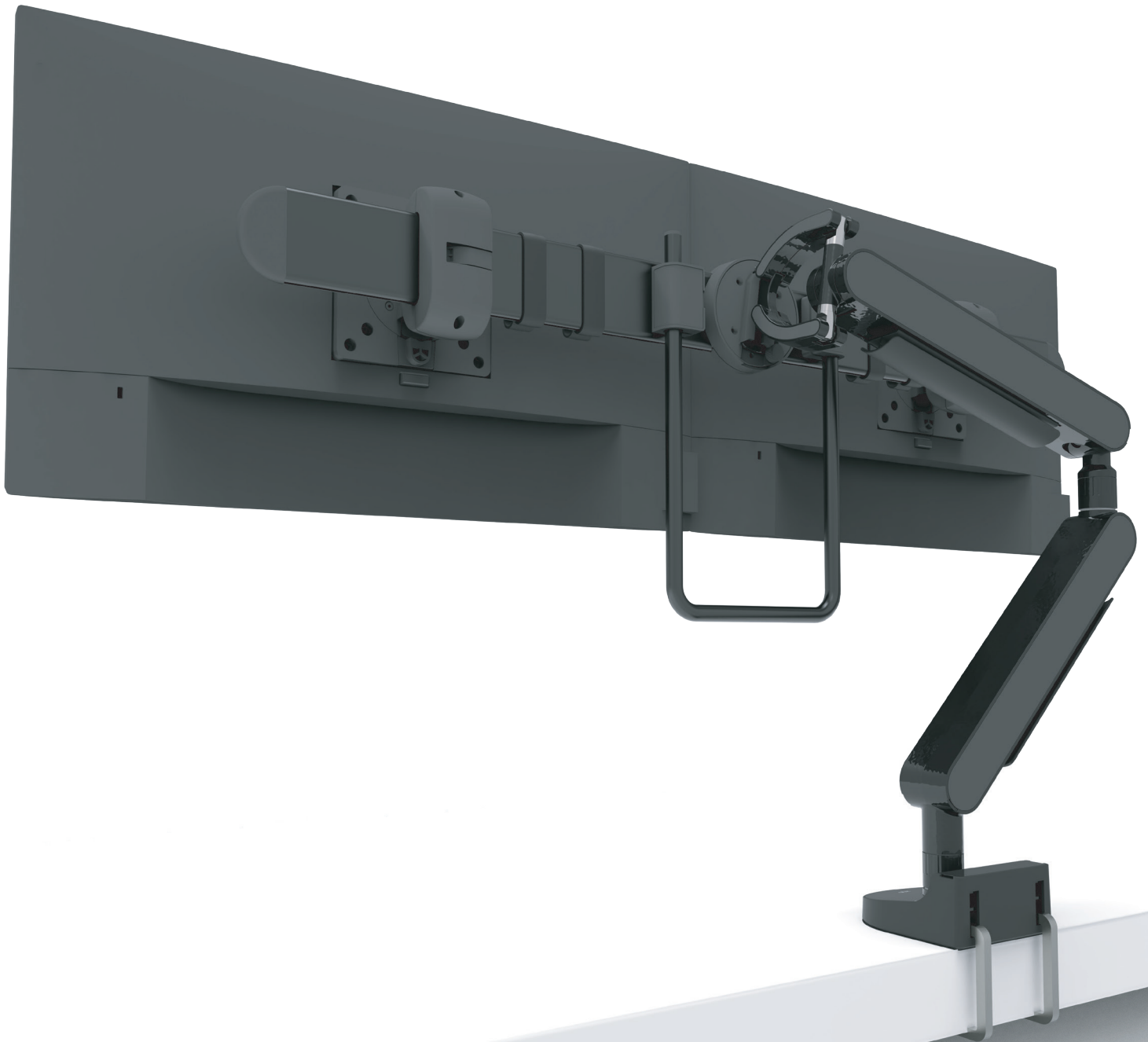


ZGX

Monitor arm with crossbar

Simplified adjustment of dual monitors with a single handle



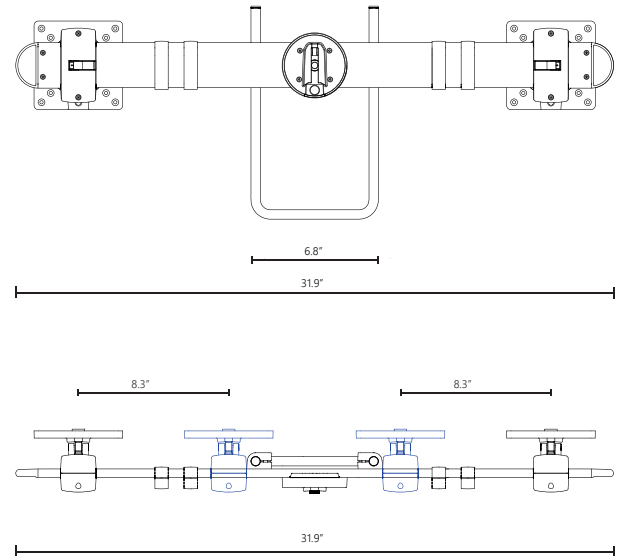
ergoCentric®

North American distributor of Zgonic

Specifications

ZGX

Monitor size supportable:	2 x 27"
Monitor weight supportable:	6.6–10lbs
Extended arm reach (from desk edge):	26.5"
Vertical arm adjustment range:	11.4"
VESA compliance:	75mm and 100mm
Dual rotation stops:	180° and 360° (no stop) at both center and rear Joints for enhanced safety
Quick-release VESA attachment:	For ease of attaching / replacing monitors, crossbars, notebook holders, etc
Monitor pivot range:	90°, portrait / landscape
Monitor tilt range:	Forward 20° / backward 20°
Warranty period:	10 years
Sustainability:	29% recycled and 99% recyclable content
Cable management:	Concealed within upper and lower arm
Handle:	Standard for more intuitive adjustments



Integrated dock
Eliminates all desktop cables and saves valuable workspace

Featuring Zgonic's exclusive dock and design



Customized side panels
Design your arm with any color, logo design, label or signage