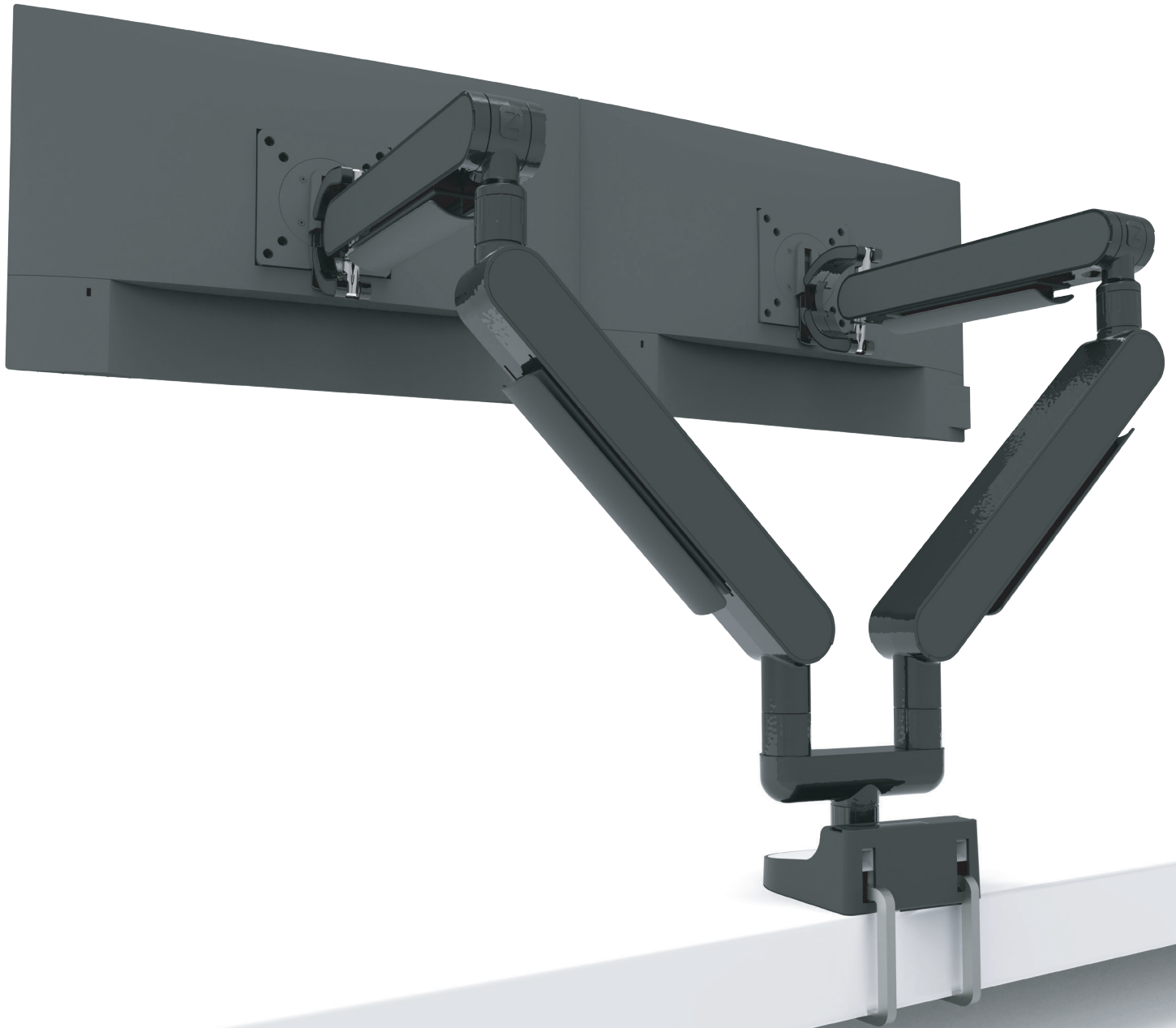


ZG2

Dual monitor arm



ergoCentric®

North American distributor of Zgonic

Specifications

ZG2

Monitor size supportable:	17"-34"	(Monitor size for reference only, weight supportable should be key factor)
Monitor weight supportable:	6.6-24.3lbs	
Extended arm reach (from desk edge):	26.5"	
Vertical arm Adjustment range:	11.4"	
VESA compliance:	75mm and 100mm	
Dual rotation stops:	180° and 360° (no stop) at both center and rear	Joints for enhanced safety
Quick-release VESA attachment:	For ease of attaching / replacing monitors, crossbars, notebook holders, etc	
Monitor pivot range:	90°, portrait / landscape	
Monitor tilt range:	Forward 20° / backward 20°	
Warranty period:	10 years	
Sustainability:	29% recycled and 99% recyclable content	
Cable management:	Concealed within upper and lower arm	
Handle:	Optional for more intuitive adjustments	



Integrated dock
Eliminates all desktop cables
and saves valuable workspace

Featuring Zgonic's exclusive
dock and design



Customized side panels
Design your arm with any color,
logo design, label or signage