



Fixed Height Video Conferencing Tables



ergoCentric®

Collaboration made simple

The upCentric Video Conferencing Tables make remote collaborative working easier and more comfortable.

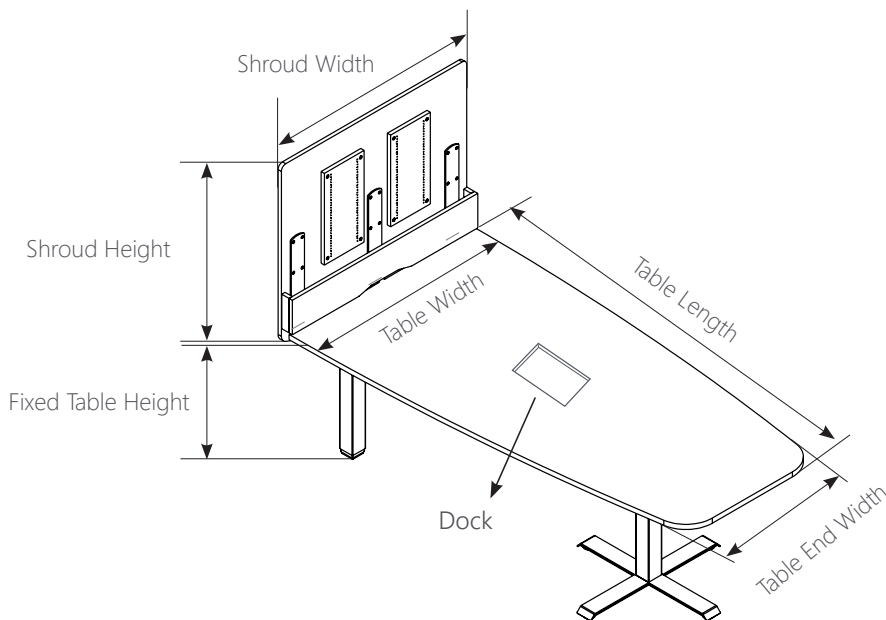
Tapered work surface design gives everyone a full view of the screen. The sturdy frame accommodates a variety of tabletop size, ensuring stability and durability. The fixed structure is more affordable and easy to install and use.

Video Conferencing (VC) Monitor Mounting Shroud provides a flexible range of mountable table top sizes, and hides all wires and hardware, directing them under the table to cable management.

The upCentric Video Conferencing Tables are designed to match other upCentric tables and desks, providing a cohesive look and feel throughout the working environment.

Quality – minimize maintenance and replacement cost

Recognized as North America's premier manufacturer of high-quality ergonomic seating and workstations, our products are built to last and exceed the strength and stability standards.



Specifications

Table

- Tapered work surface design
- Size range: 42"W x 60"L x 30"E.W. - 60"W x 168"L x 36"E.W.
- Height: 29"
- 1" High Pressure Laminate (HPL) tabletop finish, available in Black, White, or Light Gray
- Frame is available in Silver or Black
- Box grommet holes can be cut at no charge
- Various power and wire management accessories are available

Shroud

- 42" wide shroud
 - Size: 42"W x 38"H
 - Works with table size 42"W x 60"L x 30"E.W. - 42"W x 96"L x 30"E.W.
 - Supports VC monitor size 39"-50", max weight 75lbs
- 48" wide shroud
 - Size: 48"W x 41"H
 - Works with table size 48"W x 60"L x 30"E.W. - 60"W x 168"L x 36"E.W.
 - Supports VC monitor size 47"-70", max weight 75lbs

Warranty*

- 12 year limited warranty

* Includes parts & labour.