

# 360° Foot Platform

Accessible foot support



Crafted from a durable steel frame and featuring non-slip vinyl treads, the ergoCentric 360° Foot Platform is designed to seamlessly attach onto a pneumatic lift and offer stable and accessible foot support.

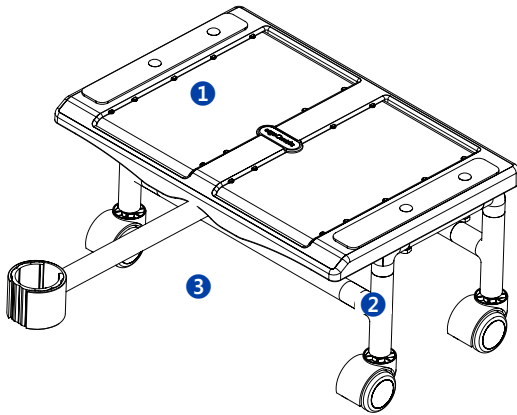
**ergoCentric**<sup>®</sup>  
The science of sitting™

# 360° Foot Platform

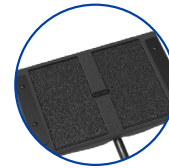
Accessible foot support.

[View Online](#)

[Contact Sales](#)



360° pivot



Non-slip vinyl treads



Easy connection to multiple pneumatic lifts



Durable steel frame



Locking casters

## Features

### 1 Footplate

- 18" w x 11 ½" h
- Vinyl non-slip treads
- 1 ¾" thickness
- 9" height from floor

### 2 Frame

- 1" diameter black steel tubular frame
- Four 50mm lock on urethane casters

### 3 Capacity

- 280 lbs

## Options

- Combination of two lock on urethane casters with two 2 ¼" glides
- Fits 157mm, 200mm, or 267mm gas lifts
- Requires 26" nylon base

## Warranty

### 5 years

- Original purchaser
- Defects and functional failure of materials up to a weight of 280 lbs